

VARIMETER Voltage relay MK 9064N, MH 9064



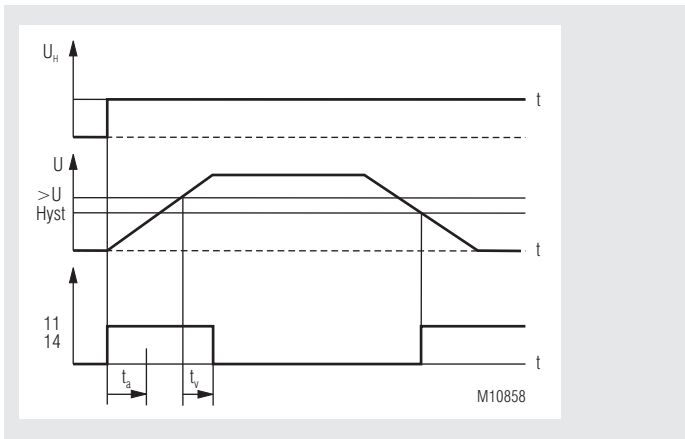
Your Advantages

- Preventive maintenance
- For better productivity
- Quicker fault locating
- Precise and reliable
- Min-, Max. value or window monitoring
- Monitoring of AC/DC 0.2 ... 600 V
- Large measuring ranges
- Simple configuration and fault diagnostic
- Auxiliary voltage ranges DC 24 V, AC 230 V or AC/DC 110 ... 400 V
- Space and cost saving

Features

- AC/DC voltage measuring (single-phase)
- Start up delay, on delay
- Manual reset
- LCD for indication of the measuring values
- Relay output
 - MK 9064N: 1 changeover contact
 - MH 9064: 2 x 1 changeover contacts
- Relay function selectable (energized/de-energized on trip)
- As option with plugable terminal blocks for easy exchange of devices
 - with screw terminals
 - or with cage clamp terminals
- With RS485 (on request)
- Width MK 9064N: 22.5 mm
- Width MH 9064: 45.0 mm

Function Diagram



Example: overvoltage monitoring with closed circuit operation

More Information

- **MH 9064**
The MH 9064 has 2 relay outputs.
The voltage monitoring can be assigned to relay 1 and /or relay 2

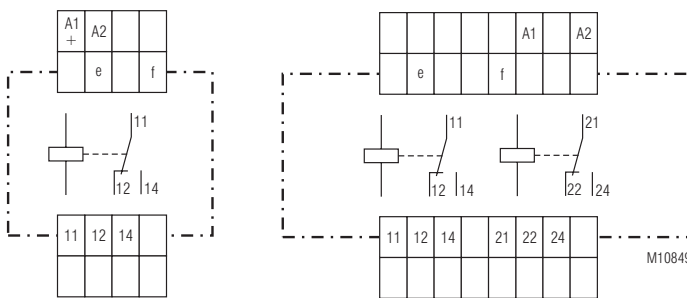
Approvals and Markings



Applications

- Voltage monitoring AC/DC single-phase
- Voltage dependent switching at under- or overvoltage

Circuit Diagrams




MK 9064N.11 M10848

MH 9064.12

Function


The Device is programmable for AC- or DC- measuring.
On AC-measurement the rectified mean value is measured.
On sinusoidal input signals the RMS value is displayed.

After connecting the auxiliary supply to terminals A1-A2 the startup delay disables the monitoring function so that changes on the input have no influence on the relay output of the VARIMETER.

The device is in display (RUN) mode and continuously measures the actual values. Pressing  for more than 3 sec starts the input mode.

If the setting value is exceeded the relay switches and the display indicates this state. The display is inverted, flashes and shows the error.

The fault memory is selectable

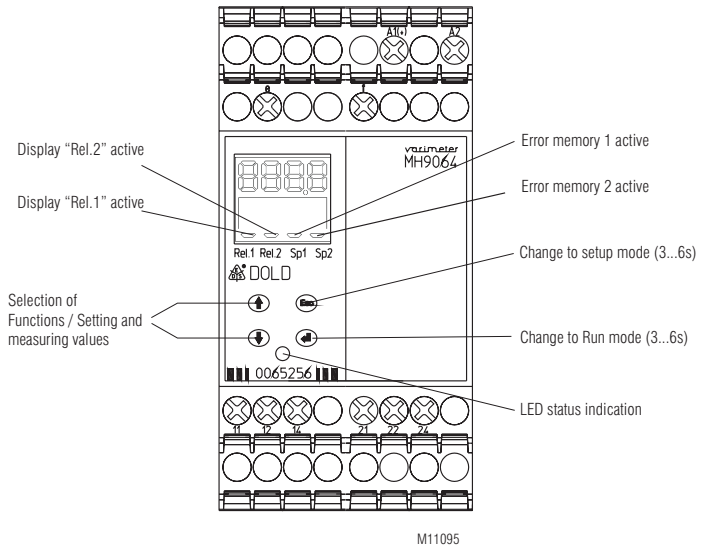
With button  the fault memory can be deleted.

On the unit MH 9064it is possible to assign different functions to the different relays so one can be used as pre-warning and the other as alarm output. Relay output 1 switches when actual value exceeds the pre-warning setting. If a second setting assigned to relay output 2 the unit gives an Alarm signal.

Remarks

The unit needs a connected auxiliary supply.
It is designed for single phase AC/DC measurement.

Setting



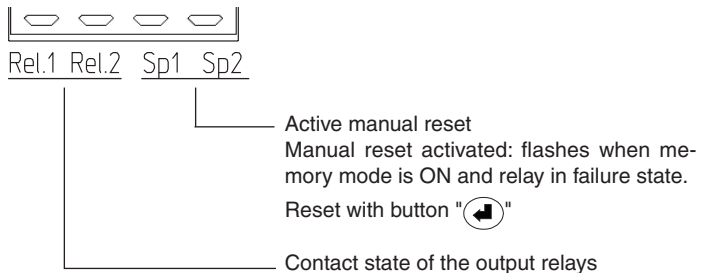
Indication

The LED indicate the state.

green:	on, when auxiliary voltage present
orange (flashes):	No measurement; unit in input mode
red (short On, short Off):	Failure overvoltage

If the measured value is higher then the upper end of scale value, the display shows the fault message "OL"

Cursor LCD Display



Operating

Display (Run) - Mode

Input-Mode

⬆ UP / ⬇ DOWN

After power up the relay is in display (Run) mode.

⬆ ⬇ buttons have no function

The measurement is interrupted, the relays are in failure state and the indicator LED has orange color

⬆ ⬇ Selection of parameters and setting of thresholds

⬅ ENTER

Manual reset, when manual reset is selected for output relay
Reset works only when fault is removed

- Shifts cursor to the right
- Saves the value no-voltage safe
- Pressing for more than 3 sec: Change to display (Run) mode.

Ⓞ Esc

- Pressing for more than 3 sec: Change to input mode

- Shifts cursor to the left
- Leave setting without saving

LCD-Display



Setting Parameter

< U Fault, when value drops under set point
> U Fault, when value exceeds set point
OFF Measurement disabled

If the adjusted threshold of at least one measuring function is exceeded, the corresponding relay output switches after the selected time delay t_v and the fault is indicated on the display.

Manual reset can be activated or de-activated and is operated with ⬅ on the unit.

Adjustable Parameter

Limit values for Rel.1 and Rel.2 Selectable with buttons ⬆ ⬇.		Factory setting
<U:	Response value undervoltage (Undervoltage relay)	OFF
>U:	Response value overvoltage,, (Overvoltage relay)	*
Hyst:	response value hysteresis	5 %
t_v :	On delay for relays (0 ... 10 sec)	0 s
A / R:	Setting open- / closed circuit operation	R
Sp:	Error storage (ON / OFF)	OFF

Response values can be deactivated. (OFF)

*) dependent to device-variant (measuring range)

Further Setting Parameter

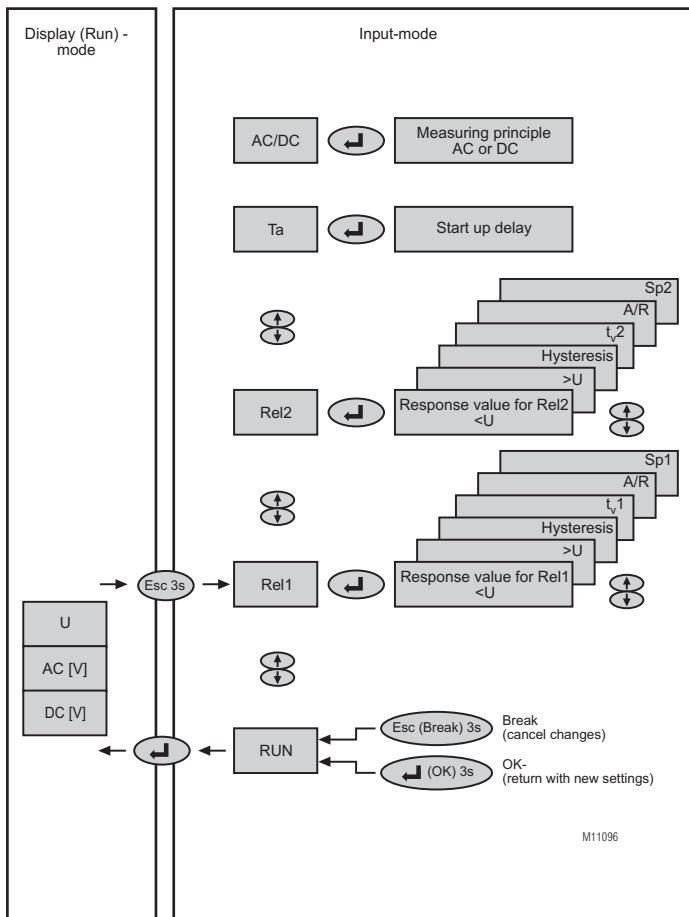
Selectable with buttons ⬆ ⬇.		Factory setting
t_s :	Start up delay, when auxiliary voltage connected (0.2 ... 10 s)	0,2 s
AC/DC	Measuring voltage AC or DC	AC

Restore Factory Settings

(Restore factory settings)
Before auxiliary voltage connected press button Ⓞ .
During start press and hold.

Indicator output

The switching mode energized or de-energized on trip can be set in input mode. The MH 9064 has 2 relay outputs. Monitoring function can be assigned to Relay 1 and/or to Relay 2.



After connecting the auxiliary supply A1/A2 the unit is in display (Run) mode:

The actual measured value is displayed continuously (AC or DC)
The display is inverted when a measured value is exceeds the settings..

With button the fault memory is reset.

Pressing button for more than 3 sec the unit changes to input mode.

In input mode the measurement is disabled, the relays are in failure mode and the indicator LED is orange.

With the buttons the different setting values can be chosen.

Move cursor position

One character to the right

One character to the left

Back to the Display (Run)-Mode

Press button 3 s OK New values stored

or

Press button 3 s; Break Values unchanged

on the display confirm with to change to display (Run) mode.

Display (Run) - Modus	Input-Mode
Display inverted when the actual value is in failure state.	Measurement interrupted, relays are in failure state, indicator LED orange color
no function	Chose Rel1, Rel2, T _a , AC/DC and RUN As option address for RS485 Bus
Reset fault memory:	Shift cursor to the left Shift cursor to the right
For more the 3 sec, change to input mode	For more than 3 sec, change to display mode

Technical Data

Auxiliary voltage A1/A2

Nominal auxiliary voltage U_H

MK 9064N:	DC 24 V	(0.9 ... 1.1 x U_H)
MH 9064:	AC 230 V	(0.8 ... 1.1 x U_H)
	AC/DC 110 ... 400 V	(0.8 ... 1.1 x U_H)

Nominal frequency:	50 / 60 Hz
Frequency range:	45 ... 400 Hz

Input current

at DC 24 V:	50 mA
at AC 230 V:	15 mA

Voltage Measuring Input L+/L

MK 9064N:

Nominal voltage:	AC/DC 300 V, AC/DC 5 V
Measuring range U_M:	AC/DC 12 ... 300 V, AC/DC 0.2 ... 5 V (0.8 ... 1.1 x U_M)

MH 9064:

Nominal voltage:	AC/DC 600 V
Measuring range U_M:	AC/DC 24 ... 600 V (0.8 ... 1.1 x U_M)
Nominal frequency:	50 / 60 Hz
Frequency range:	AC 10 ... 400 Hz

Setting Range (absolute, via button and LCD-display)

Measuring accuracy at nominal frequency

(in % of setting value): $\pm 2\% \pm 2$ Digit

Hysteresis

(in % of setting value): 2 ... 50 %

Reaction time:

< 150 ms

Adjustable on delay (t_d):

0 ... 10 s

Adjustable start up delay (t_s):

0.2 ... 10 s

Output Circuit (Rel1: 11/12/14; Rel2: 21/22/24)

Contacts:

MK 9064N:	1 changeover contact
MH 9064:	1 changeover contact (Rel1) and 1 changeover contact (Rel2)

Thermal current I_{th} :

2 x 4 A

Switching capacity

to AC 15

NO contacts: 3 A / AC 230 V IEC/EN 60 947-5-1

NC contacts: 1 A / AC 230 V IEC/EN 60 947-5-1

to DC 13

NO contacts: 1 A / DC 24 V IEC/EN 60 947-5-1

NC contacts: 1 A / DC 24 V IEC/EN 60 947-5-1

Electrical life

to AC 15 at 3 A, AC 230 V: 2 x 10⁵ switch. cycl. IEC/EN 60 947-5-1

Permissible switching frequency:

1800 / h

Short circuit strength

Max. fuse rating: 4 A g/DIN VDE 0660

Mechanical life: 30 x 10⁶ switching cycles

General Data

Nominal operating mode:

continuous operation
Temperature range: - 20... + 60°C
(at range 0 ... - 20°C limited function of the LCD display)

Clearance and creepage distance

rated impulse voltage /

pollution degree: 4 kV / 2

high voltage test: IEC/EN 60 664-1

EMC

Electrostatic discharge (ESD): 8 kV (air) IEC/EN 61 000-4-2

Fast transients: 2 kV IEC/EN 61 000-4-4

Surge voltage: 5 kV / 0.5J IEC/EN 61 000-4-5

HF-wire guided: 10 V IEC/EN 61 000-4-6

Interference suppression: Limit value class A EN 61 000-6-4

Degree of protection

Housing: IP 40 DIN EN 60 529

Terminals: IP 20 DIN EN 60 529

Housing: thermoplastic with VO behaviour

according to UL Subject 94

Vibration resistance:

Amplitude 0.35 mm, frequency 10 ... 55 Hz

Technical Data

Climate resistance: 20 / 060 / 04 EN 60 068-1
Wire connection: DIN 46 228-1/-2/-3/-4

Wire connection

Screw terminal (fixed):
1 x 4 mm² solid or
1 x 2.5 mm² stranded ferruled (isolated) or
2 x 1.5 mm² stranded ferruled (isolated) or
2 x 2.5 mm² solid

Insulation of wires or sleeve length: 8 mm

Terminal block

with screw terminals
Max. cross section: 1 x 2.5 mm² solid or
1 x 2.5 mm² stranded ferruled (isolated)

Insulation of wires or sleeve length: 8 mm

Terminal block

with cage clamp terminals
Max. cross section: 1 x 4 mm² solid or
1 x 2.5 mm² stranded ferruled (isolated)
Min. cross section: 0.5 mm²

Insulation of wires or sleeve length:

12 ±0.5 mm

Wire fixing: Plus-minus terminal screws M3,5 box terminals with wire protection or cage clamp terminals

Fixing torque: 0.8 Nm

Mounting: DIN rail EN 60 715

Weight:

MK 9064N: approx. 140 g

MH 9064: approx. 250 g

Dimensions

Width x height x depth:

MK 9064N: 22.5 x 90 x 99 mm

MH 9064: 45 x 90 x 99 mm

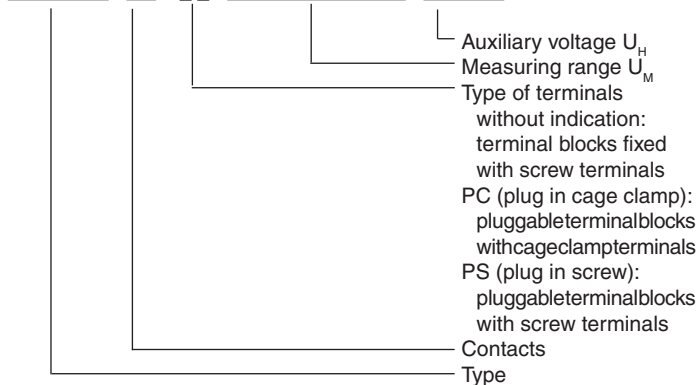
Standard Types

MK 9064N.11 AC/DC 12 ... 300 V DC 24 V
Article number: 0065254
• Measuring range: AC/DC 12 ... 300 V
• Auxiliary voltage U_H : DC 24 V
• Output: 1 changeover contact
• Width: 22.5 mm

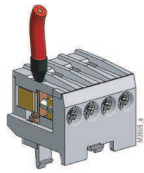
MH 9064.12 AC/DC 24 ... 600 V AC/DC 110 ... 400 V
Article number: 0065256
• Measuring range: AC/DC 24 ... 600 V
• Auxiliary voltage U_H : AC/DC 110 ... 400 V
• Output: 1 changeover contact (Rel1) and
1 changeover contact (Rel2)
• Width: 45 mm

Ordering Example

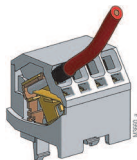
MK 9064N .11 AC/DC 12 ... 300 V DC 24 V



Options with Pluggable Terminal Blocks



Screw terminal
(PS/plugin screw)

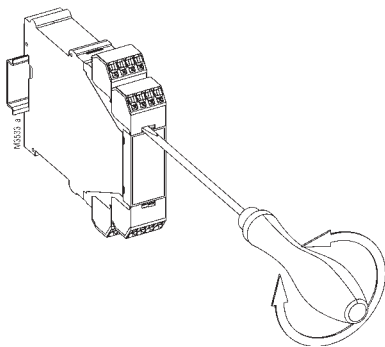


Cage clamp terminal
(PC/plugin cage clamp)


Notes

Removing the terminal blocks with cage clamp terminals

1. The unit has to be disconnected.
2. Insert a screwdriver in the side recess of the front plate.
3. Turn the screwdriver to the right and left.
4. Please note that the terminal blocks have to be mounted on the belonging plug in terminations.



Safety notes

 **Dangerous voltage.**
Electric shock will result in death or serious injury.

 Disconnect all power supplies before servicing equipment.

- Faults must only be removed when the relay is disconnected
- The user has to make sure that the device and corresponding components are installed and wired according to the local rules and law (TUEV, VDE, Health and safety).
- Settings must only be changed by trained staff taking into account the safety regulations. Installation work must only be done when power is disconnected.
- Observe proper grounding of all components

Set Up Procedure

The connection has to be made according to the connection example.

Connection Example

